

# KOM300F

## 3 port DIN-Rail copper to fiber media converters



### » Overview

The KOM300F is a ultra low power consumption Green industrial media convertor, its full load power consumption is as low as 3.5 watts. The KOM300F supports 1 100Base-FX fiber port and 2 10/100Base-T(X) copper ports. The KOM300F provides 9-36 VDC, 18-72VDC or 85-264VAC/77-300VDC single power inputs, supports DIN-Rail mounting or Panel mounting, metal housing with IP40 protection class, operating temperature -40°C to 75°C.

### » Key Features

Green Ethernet solution with ultra-low power consumption design, its full load power consumption is as low as 3.5 watts

1 100Base-FX port and 2 10/100Base-T(X) RJ45 ports

Single power inputs with wide voltage range

IP40 protection class

EMC level 3

CE, FCC certificates

### » Product Specifications

#### >Product Specifications

#### -Standard

IEEE 802.3i(10Base-T)

IEEE 802.3u(100Base-TX and 100Base-FX)

**-Switch Properties**

MAC Table 2K

Packet Buffer 1Mbit

Packet Forwarding Rate 0.8Mpps

Switching Delay <5 $\mu$ s

**-Interface**

Fast Ethernet Ports

100Base-FX, SM/MM port, SC/ST/FC connector

10/100Base-T(X) RJ45 port

**-LED**

Indicators in the front panel

Power LED: PWR

Interface LED: Link/ACT, Speed (RJ45 Ports); Link/ACT(Fiber Ports)

**-Power Requirements**

24-48VDC(18-72VDC) : 3-pin 5.08mm-spacing plug-in terminal block

12-24VDC(9-36VDC) : 3-pin 5.08mm-spacing plug-in terminal block

24VDC(18-36VDC) : 3-pin 5.08mm-spacing plug-in terminal block

100-240VAC,50/60Hz;110-220VDC(85-264VAC/77-300VDC) : 3-pin 7.62mm-spacing plug-in terminal block

Power Consumption <3.5W

Overload Protection Support

Reverse Connection Protection Support

**-Physical Characteristics**

Housing Metal

Heat Dissipation Mode Natural cooling, without fans

Protection Class IP40

Dimensions 30mm×115mm×91.5mm (W×H×D)

Weight 0.4kg

Mounting DIN-Rail or Panel mounting

**-Environmental Limits**

Operating Temperature -40 to 75°C

Storage Temperature -40 to 85°C

Ambient Relative Humidity 5 to 95% (non-condensing)

#### **-Quality Assurance**

MTBF 478,852 hours

Warranty period 5 years

#### **-Approvals**

CE, FCC

EMC: EN 55032, EN 61000-6-4, EN 61000-6-2

IEC 62368-1, EN 62368-1

#### **-Industry Standard**

EMI FCC CFR47 Part 15, EN55032/CISPR22, Class A

EMS

IEC61000-4-2(ESD) ±6kV(contact), ±8kV(air)

IEC61000-4-3(RS) 10V/m(80MHz-2GHz)

IEC61000-4-4(EFT) Power Port:±2kV;Data Port:±1kV

IEC61000-4-5(Surge) Power Port:±1kV/DM, ±2kV/CM;Data Port:±2kV

IEC61000-4-6(CS) 10V(150kHz-80MHz)

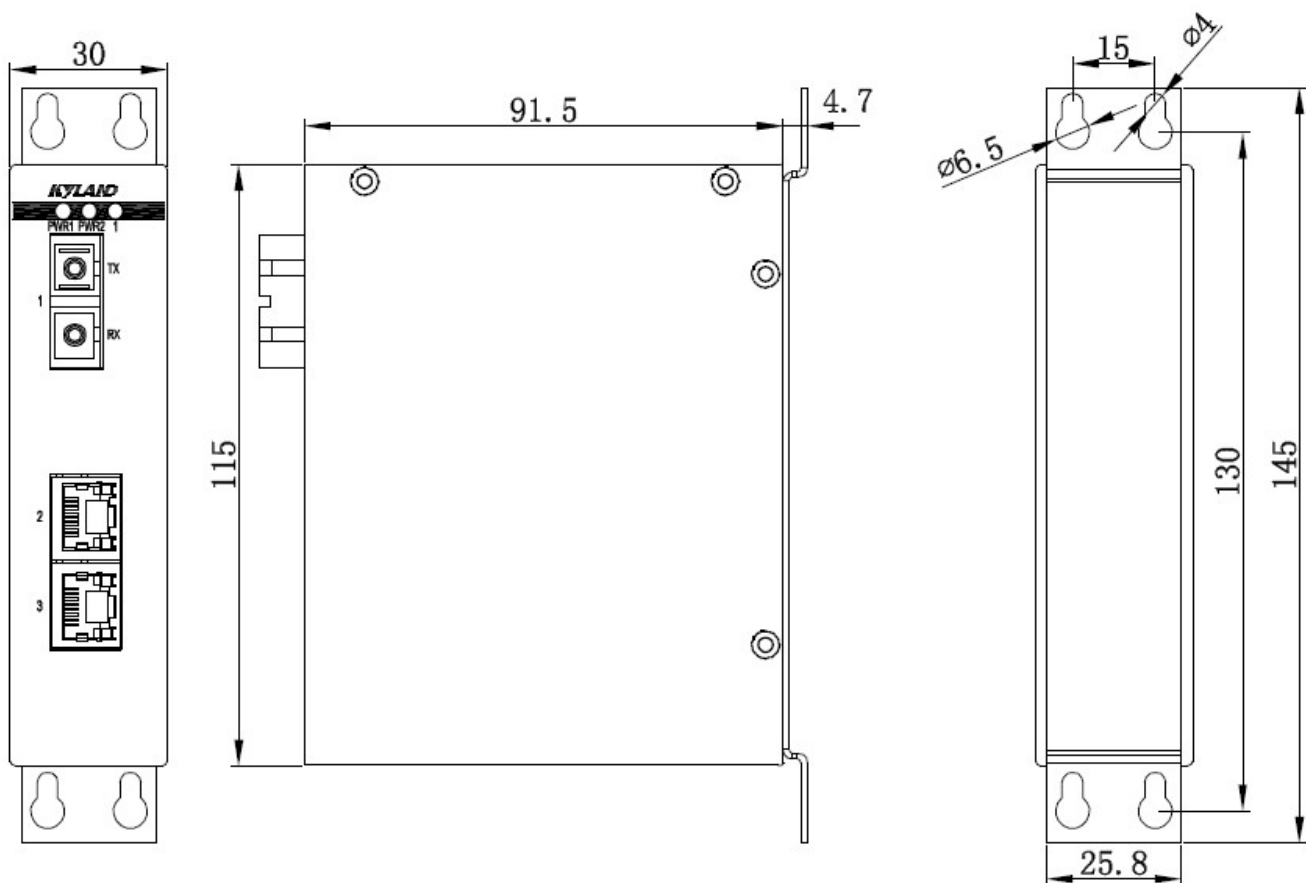
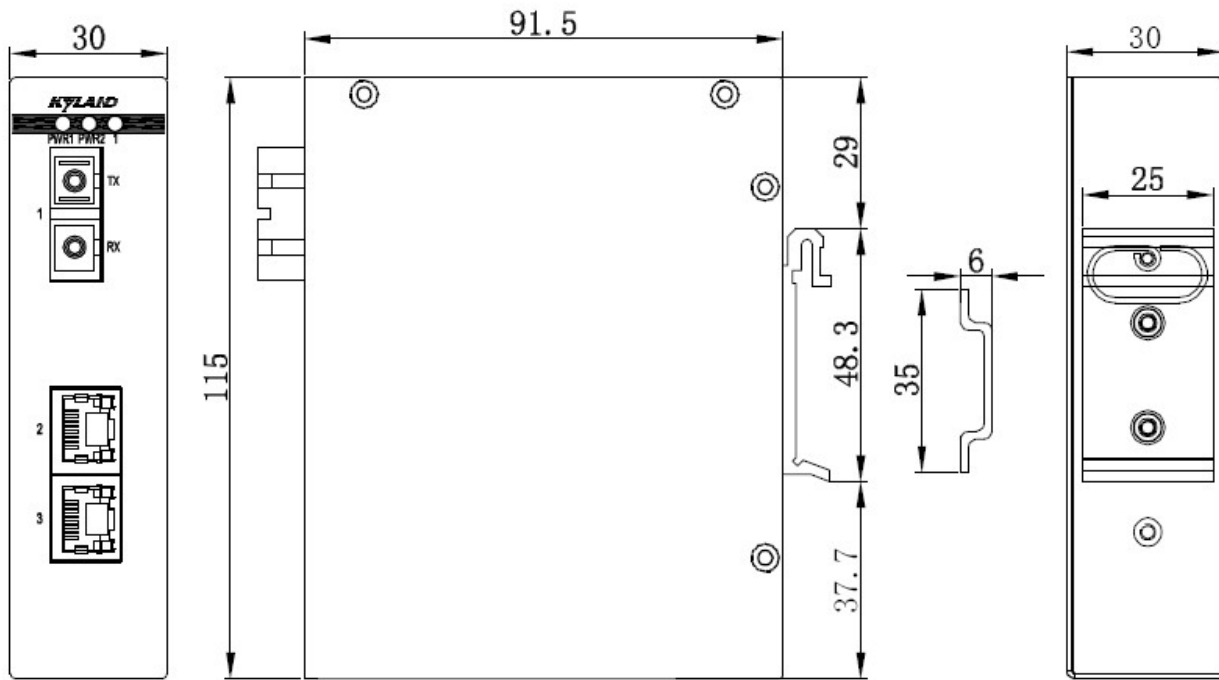
Mechanical standards

IEC60068-2-6 (Vibration)

IEC60068-2-27 (Shock)

IEC60068-2-32 (Free Fall)

## **Mechanical Drawing**



➤ Ordering Information

## Ordering Information

|                    |  |
|--------------------|--|
| Product Model      | KOM300F-Ports-Connector-PS   |
| Code definition    | Code selection   |
| Ports:             | 1M2T = 1 × 100Base-FX multi-mode port, 2 × 10/100Base-T(X) RJ45 ports<br>1S2T = 1 × 100Base-FX single mode port, 2 × 10/100Base-T(X) RJ45 ports  |
| Connector:         | SC05 = SC connector, multi-mode, 1310nm, 5km<br>ST05 = ST connector, multi-mode, 1310nm, 5km<br>FC05 = FC connector, multi-mode, 1310nm, 5km<br>SC40 = SC connector, single mode, 1310nm, 40km<br>ST40 = ST connector, single mode, 1310nm, 40km<br>FC40 = FC connector, single mode, 1310nm, 40km<br>SC60 = SC connector, single mode, 1310nm, 60km<br>SC80 = SC connector, single mode, 1550nm, 80km |
| PS<br>Power Supply | L2 = 24-48VDC(18-72VDC), single power input<br>L5 = 12-24VDC( 9-36VDC), single power input<br>L3 = 24VDC(18-36VDC), single power input<br>HV = 100-240VAC,50/60Hz;110-220VDC(85-264VAC/77-300VDC), single power input  |

## Accessories

| Accessory model | Description                   |
|-----------------|-------------------------------|
| DT-BGAZ-01      | Panel for panel mounting      |
| DT-FCZ-RJ45-01  | Dustproof cover for RJ45 port |

Version:2021-05-26 14:45:58